



AN ISO 9001:2015  
CERTIFIED COMPANY



*We Believe in*

*Quality.*

## ■ About Radial Pumps

**Radial Pumps Industries** is most reputed company that has been serving the field of pumping technology and systems since many years. We produce all our range with state of the art machinery equipped facilities to ensure customer satisfaction. The company has also invested a lot in acquiring precision testing facilities to ensure the efficient and improved quality of products. The company has established a distinct name in the national and international markets.

**Radial Pumps Industries** is an **ISO 9001-2015 certified** world class Pumps Manufacturer in India. Our range covers Centrifugal Process Pumps, Filter Press Side Suction Pumps, Thermic Fluid Pumps (Hot Oil Pumps), High Pressure Multistage Pumps, Polypropylene Pumps, Rotary Gear Pumps, Self Priming Mud Pumps, Vertical Sump Pumps(Extended Shaft), Water Separator Pumps, Submersible Sewage Pumps etc. We also manufacturer Special Purpose Pumps and Pumps Spare Parts as per clients requirements.



**Radial Pumps Industries** products are widely appreciated by clients for their reliable performance, easy maintenance, and low power consumption. In order to meet the diverse requirements of our clients we offer customized solutions at industry leading prices. Our team of skilled and experienced engineers strives to provide the best possible products and services to our valued clients. Radial Pumps Industries specializes in the design and manufacture of chemical process pumps. Our extensive range provides both technical solutions as well cost-effective ones for your specific application needs with customized designs available on request. We will be happy to work with you on your pump requirements and provide a competitive technical/commercial quotation by return. We offer a comprehensive line of high quality centrifugal process pumps that handles corrosive, abrasive or high temperature liquids. We are vertically integrated with our own machine shop/manufacturing plant/Testing Facility and Service Network that enables us not only make the correct replacement parts but also install them for you quickly.

### COMPANY VISION

We can produce high quality products at competitive price. This is where Radial Pumps Industries comes in. With over many years of experience in the industry, we are well positioned to be one of the leading pump manufacturers specializing in industrial pumps. Our products are manufactured to the highest standards and are backed by a team of experienced engineers who are always ready to provide support and advice. We are constantly innovating and investing in new technologies to ensure that our products are able to meet the ever- changing needs of our customers. We are confident that we can meet all your needs and exceed your expectations.



### COMPANY MISSION

At Radial Pumps Industries we are dedicated to making a significant contribution to the enhancement of life quality by producing innovative industrial pumps that work with improved performance while ensuring a high degree of reliability. We strongly believe that pumps play an essential role in various industries and sectors, which is why we are committed to constantly improving our products and services. We will always strive to earn and be worthy of our customers trust. Our passion for pumps and our commitment to excellence are what set us apart from our competitors. We will continue to do whatever it takes to improve the quality of life for our customers.



## ■ RCP SERIES

### CENTRIFUGAL PROCESS PUMPS



## ■ OPERATING DATA

**Capacity :** up to 2200 m<sup>3</sup>/hr

**Head :** up to 150 mtr

**Discharge size :** 25 mm to 300 mm

**Temperature :** up to 350°C

**Pressure :** up to 15 kg/cm<sup>2</sup>

**Speed :** up to 3500 rpm

## ■ MATERIAL OF CONSTRUCTION

- C.I, C.S, SS-304 / 304L, SS316 /316L, Bronze.
- Alloy-20, CD4MCU Hast alloy B & C.
- Duplex stainless steel, Super duplex stainless steel.

## ■ APPLICATIONS

- Hot & cold water circulation, cooling water circulation.
- Drip irrigation, water supply and building services.
- Thermic fluid, Jet dyeing, volatile fluids.
- Condensate handing, firefighting system, ETP/STP.
- Engineering, marine, refrigeration and cooling tower.
- Chemicals, petrochemicals, refineries, sugar, pulp & paper, laminates industries.
- Power plants, desalination plants, steel plants, rubber, Organic and inorganic chemical, DM water, sea water.
- Food, salt, textile and general industries services. Corrosive and abrasive process chemicals like acids, alkalis, Solvents, slurries, hydrocarbons, crystallizing liquids, nitric, Ammonia, fertilizer, hos hate.
- Chemical effluents.

## ■ ROP SERIES

### PULP & PAPER MILL PUMPS



## ■ OPERATING DATA

**Capacity :** up to 1200 m<sup>3</sup>/hr

**Head :** up to 55 mtr

**Discharge size :** 25 mm to 300 mm

**Temperature :** up to 250°C

**Pressure :** up to 5.5 kg/cm<sup>2</sup>

**Speed :** up to 3500 rpm

## ■ MATERIAL OF CONSTRUCTION

- C.I, C.S, SS-304 / 304L, SS316 /316L, Bronze.
- Alloy-20, CD4MCU Hast alloy B & C.
- Duplex stainless steel, Super duplex stainless steel.

## ■ APPLICATIONS

- Handling pulp stock up to 7% consistency in Pulp & Paper industries.
- Handling Sugar Juice, Bagasse Slurries, Efluent, Water Thin & Thick Sludge in Sugar industries.
- Organic/inorganic chemical intermediates industries.
- Waste water treatment plant (ETP/ STP), fertilizers, cement and steel industries.
- Chemicals, petrochemicals, refineries, laminates industries.
- Rubber, organic and inorganic chemical, food, salt, textiles and General industries services etc...
- Filter press- feeding, slurry transfer.

## ■ RSP SERIES

CHEMICAL PROCESS PUMPS  
WITH SEMI OPEN IMPELLER



## ■ OPERATING DATA

**Capacity** : up to 40 m<sup>3</sup>/hr

**Head** : up to 48 mtr

**Discharge size** : 25 mm to 50 mm

**Temperature** : up to 140°C

**Pressure** : up to 4.8 kg/cm<sup>2</sup>

**Speed** : up to 3500 rpm

## ■ MATERIAL OF CONSTRUCTION

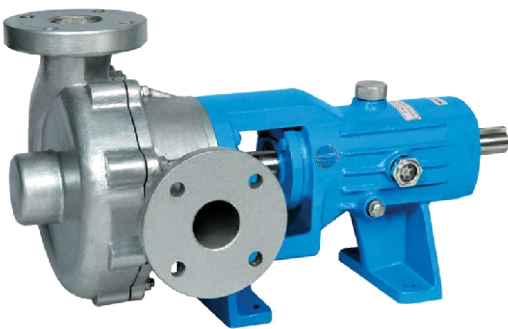
- C.I, C.S, SS-304 / 304L, SS316 /316L, Bronze.
- Alloy-20, CD4MCU Hast alloy B & C.
- Duplex stainless steel, Super duplex stainless steel.

## ■ APPLICATIONS

- Organic / Inorganic Chemical Intermediates industries.
- Pulp & Paper, Sugar, Salt & Starch industries.
- Food, Fertilizers, Refineries, Laminate, Cement & Steel industries.
- Pharmaceutical, Dyes, Textiles, Kerosene, Diesel & other Solvents, Waste Water treatment plant (ETP/STP)
- Evaporator and Scrubber application.
- Filter press-feeding, slurry transfer.
- For pumping chemicals, with solid concentration, polluted liquids.
- Rubber, General industrial services.

## ■ RFP SERIES

FILTER PRESS PUMPS



## ■ OPERATING DATA

**Capacity** : up to 200 m<sup>3</sup>/hr

**Head** : up to 100 mtr

**Discharge size** : 40 mm to 100 mm

**Temperature** : up to 140°C

**Pressure** : up to 10 kg/cm<sup>2</sup>

**Speed** : up to 3500 rpm

## ■ MATERIAL OF CONSTRUCTION

- C.I, C.S, SS-304 / 304L, SS316 /316L, Bronze.
- Alloy-20, CD4MCU Hast alloy B & C.
- Duplex stainless steel, Super duplex stainless steel.

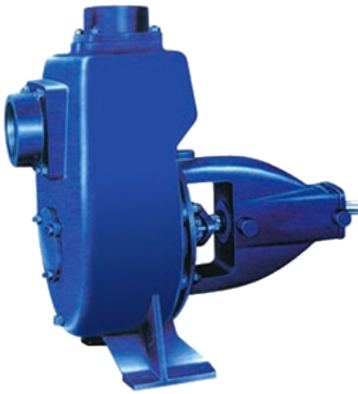
## ■ APPLICATIONS

- Filter press feeding. Slurry transfer.
- Waste Water treatment plant (ETP/STP).
- Evaporator and Scrubber application.
- Dyes & Intermediates, Steel Rolling mills.
- Pulp & Paper, Sugar, Salt, Starch industries.
- Zink & Copper plant.
- Ceramic, General industrial services.



## ■ RMP SERIES

SELF PRIMING NON-CLOG MUD PUMPS  
(GLAND/MECHANICAL SEAL TYPE)



## ■ OPERATING DATA

**Capacity** : up to 640 m<sup>3</sup>/hr

**Head** : up to 55 mtr

**Discharge size** : 40 mm to 200 mm

**Temperature** : up to 110°C

**Pressure** : up to 5 kg/cm<sup>2</sup>

**Speed** : up to 3500 rpm

## ■ MATERIAL OF CONSTRUCTION

- C.I, C.S, SS-304 / 304L, SS316 /316L, Bronze.
- Alloy-20, CD4MCU Hast alloy B & C.
- Duplex stainless steel, Super duplex stainless steel.

## ■ APPLICATIONS

- Pier, Excavations, Pits, Pot-holes etc, Grampanchayat, Municipalities, Hospitals, Large Housing Colonies, industries like Chemical, Pharmaceuticals, Food, Cement, Paper, Sugar, Salt, Steel & Other for Liquid Cargo from Freighter, Barges.
- Mobile machinery – Cooling water for Marine Engines & Shovels.
- Civil construction dewatering foundations, Trenches & Pits, Filter Press Feeding.
- Waste Water treatment plant (ETP/STP)
- Dewatering, Mud, Marine, Effluent, Hotel, Loading & Transfer of Oils, Spirits, Swimming Pools.
- Pumping Petroleum products & Chemical.
- Public utilities-sewage pumping.

## ■ RMSP SERIES

SELF PRIMING NON-CLOG MUD PUMPS  
(MECHANICAL SEAL TYPE)



## ■ OPERATING DATA

**Capacity** : up to 75 m<sup>3</sup>/hr

**Head** : up to 58 mtr

**Discharge size** : 32 mm to 80 mm

**Temperature** : up to 110°C

**Pressure** : up to 5.8 kg/cm<sup>2</sup>

**Speed** : up to 3500 rpm

## ■ MATERIAL OF CONSTRUCTION

- C.I, C.S, SS-304 / 304L, SS316 /316L, Bronze.
- Alloy-20, CD4MCU Hast alloy B & C.
- Duplex stainless steel, Super duplex stainless steel.

## ■ APPLICATIONS

- Pier, Excavations, Pits, Pot-holes etc, Grampanchayat, Municipalities, Hospitals, Large Housing Colonies, industries like Chemical, Pharmaceuticals, Food, Cement, Paper, Sugar, Salt, Steel & Other for Liquid Cargo from Freighter, Barges.
- Mobile machinery – Cooling water for Marine Engines & Shovels.
- Civil construction dewatering foundations, Trenches & Pits, Filter Press Feeding.
- Waste Water treatment plant (ETP/STP)
- Dewatering, Mud, Marine, Effluent, Hotel, Loading & Transfer of Oils, Spirits, Swimming Pools.
- Pumping Petroleum products & Chemical.
- Public utilities-sewage pumping.

## ■ RVSP SERIES

VERTICAL SUMP PUMPS



## ■ OPERATING DATA

**Capacity** : up to 300 m<sup>3</sup>/hr

**Head** : up to 60 mtr

**Discharge size** : 25 mm to 125 mm

**Temperature** : up to 60°C

**Pressure** : up to 6 kg/cm<sup>2</sup>

**Speed** : up to 3500 rpm

## ■ MATERIAL OF CONSTRUCTION

- C.I, C.S, SS-304 / 304L, SS316 /316L, Bronze.
- Alloy-20, CD4MCU Hast alloy B & C.
- Duplex stainless steel, Super duplex stainless steel.

## ■ APPLICATIONS

- Sulphuric Acid, Nitric Acid, HCL transfer.
- Solvents, Diesel & Petrol transfer.
- Light Slurries, Organic chemical processing.
- Water supply, Cooling Water, Effluent, Cleaning product & Hydrocarbons.
- Zink & Copper Plant.
- HVAC (Cooling and Heating Application).
- Pharmaceutical & general industrial Services.

## ■ RHOP SERIES

THERMIC FLUID HOT OIL PUMPS



## ■ OPERATING DATA

**Capacity** : up to 180 m<sup>3</sup>/hr

**Head** : up to 80 mtr

**Discharge size** : 32 mm to 80 mm

**Temperature** : up to 350°C

**Pressure** : up to 8 kg/cm<sup>2</sup>

**Speed** : up to 3500 rpm

## ■ MATERIAL OF CONSTRUCTION

- Grey cast iron, CS, Alloy cast steel.

## ■ APPLICATIONS

- Boiler & Chiller Industries.
- Petro-chemical industries.
- Oil industries.
- Synthetic-fiber industries.
- Textile, dying, printing industries.
- Plastic & rubber industries.
- Chemical Industries.
- Paper & Pulp Industries
- Timber making industries.
- Sugar Industries.
- Food industries.
- Pharmaceutical Industries.
- Construction industries.

## ■ RPCP SERIES

PVDF LINED CENTRIFUGAL  
PROCESS PUMPS



## ■ OPERATING DATA

**Capacity** : up to 250 m<sup>3</sup>/hr

**Head** : up to 90 mtr

**Discharge size** : 25 mm to 100 mm

**Temperature** : max. 120°C

**Pressure** : up to 9 kg/cm<sup>2</sup>

**Speed** : up to 3500 rpm

## ■ MATERIAL OF CONSTRUCTION

- PVDF

## ■ APPLICATIONS

- Water treatment plant (ETP/STP), electro plating & steel rolling mill, oil industries.
- Excellent for transfer and loading - unloading HCL, Sulphuric acid/Alkali, and Caustic liquid.
- Scrubbing of corrosive gases like NH<sub>3</sub>, CO<sub>2</sub>, SO<sub>3</sub>, SO<sub>2</sub>, Br<sub>2</sub>, Cl<sub>2</sub>
- For handling liquids in various industries like textile, paper, cellulose, sugar, steel, having temperature range, materials.
- Ideal for Circulation of chemical in metal finishing industry.
- Natural choice for pickling line & scrubber in steel plants.
- High capacity transfer pump for filter press in dyes & chemicals, descaling oil & other fuels.
- Pesticide/Insecticide Plants, Chlorine plant.
- Pharmaceutical bulk drug plants, heavy duty chemical plants.

## ■ RTCP SERIES

TEFLON LINED CENTRIFUGAL  
PROCESS PUMPS



## ■ OPERATING DATA

**Capacity** : up to 250 m<sup>3</sup>/hr

**Head** : up to 90 mtr

**Discharge size** : 25 mm to 100 mm

**Temperature** : Max. 200°C

**Pressure** : up to 9 kg/cm<sup>2</sup>

**Speed** : up to 3500 rpm

## ■ MATERIAL OF CONSTRUCTION

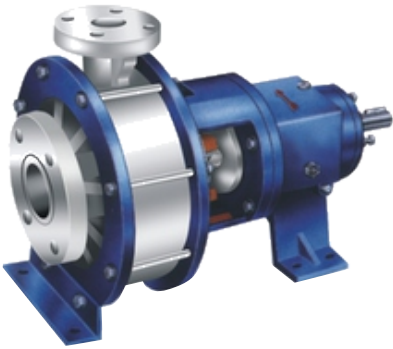
- PFA/FEP

## ■ APPLICATIONS

- Water treatment plant (ETP/STP), electro plating & steel rolling mill, oil industries.
- Excellent for transfer and loading - unloading HCL, Sulphuric acid/Alkali, and Caustic liquid.
- Scrubbing of corrosive gases like NH<sub>3</sub>, CO<sub>2</sub>, SO<sub>3</sub>, SO<sub>2</sub>, Br<sub>2</sub>, Cl<sub>2</sub>
- For handling liquids in various industries like textile, paper, cellulose, sugar, steel, having temperature range, materials.
- Ideal for Circulation of chemical in metal finishing industry.
- Natural choice for pickling line & scrubber in steel plants.
- High capacity transfer pump for filter press in dyes & chemicals, descaling oil & other fuels.
- Pesticide/Insecticide Plants, Chlorine plant.
- Pharmaceutical bulk drug plants, heavy duty chemical plants.

## ■ RPP SERIES

POLYPROPYLENE CORROSION  
RESISTANT CENTRIFUGAL PUMPS



## ■ OPERATING DATA

**Capacity** : up to 300 m<sup>3</sup>/hr  
**Head** : up to 60 mtr  
**Discharge size** : 25 mm to 100 mm  
**Temperature** : up to 70°C  
**Pressure** : up to 6 kg/cm<sup>2</sup>  
**Speed** : up to 3500 rpm

## ■ MATERIAL OF CONSTRUCTION

- PP, PPCP, UHMWPE.

## ■ APPLICATIONS

- Electro plating, pickling & steel rolling mills.
- Water treatment plant (ETP/STP), Effluent Treatment plant.
- Excellent for transfer and loading - unloading like HCL, Sulfuric acid/Alkali, and Caustic liquid.
- Scrubbing of corrosive gases like NH<sub>3</sub>, CO<sub>2</sub>, SO<sub>3</sub>, SO<sub>2</sub>, Br<sub>2</sub>, Cl<sub>2</sub>
- For handling liquids in various industries like textile, paper, cellulose, sugar, steel, having temperature range, materials.
- Ideal for Circulation of chemical in metal finishing industry.
- Naturel Choice for Pickling line & scrubber in steel plants.
- Filter Press for Dyes & chemical, Descaling, oil & other Fuels.

## ■ RVPP SERIES

POLYPROPYLENE CORROSION  
RESISTANT VERTICAL PUMPS



## ■ OPERATING DATA

**Capacity** : up to 55 m<sup>3</sup>/hr  
**Head** : up to 45 mtr  
**Discharge size** : 25 mm to 50 mm  
**Temperature** : up to 80°C  
**Pressure** : up to 4.5 kg/cm<sup>2</sup>  
**Speed** : up to 3500 rpm

## ■ MATERIAL OF CONSTRUCTION

- PP, PPCP, UHMWPE.

## ■ APPLICATIONS

- Electro plating, pickling & steel rolling mills.
- Water treatment plant (ETP/STP), Effluent Treatment plant.
- Excellent for transfer and loading - unloading like HCL, Sulfuric acid/Alkali, and Caustic liquid.
- Scrubbing of corrosive gases like NH<sub>3</sub>, CO<sub>2</sub>, SO<sub>3</sub>, SO<sub>2</sub>, Br<sub>2</sub>, Cl<sub>2</sub>
- For handling liquids in various industries like textile, paper, cellulose, sugar, steel, having temperature range, materials.
- Ideal for Circulation of chemical in metal finishing industry.
- Naturel Choice for Pickling line & scrubber in steel plants.
- Filter Press for Dyes & chemical, Descaling, oil & other Fuels.



## ■ RHMP SERIES

HIGH PRESSURE MULTISTAGE  
HORIZONTAL PUMPS



## ■ OPERATING DATA

**Capacity** : up to 80 m<sup>3</sup>/hr

**Head** : up to 300 mtr

**Discharge size** : 32 mm to 100 mm

**Temperature** : up to 140°C

**Pressure** : up to 30 kg/cm<sup>2</sup>

**Speed** : up to 3500 rpm

## ■ MATERIAL OF CONSTRUCTION

- C.I, C.S, SS-304 / 304L, SS316 /316L, Bronze.
- Alloy-20, CD4MCU Hast alloy B & C.
- Duplex stainless steel, Super duplex stainless steel.

## ■ APPLICATIONS

- Mines - dewatering & descaling.
- Water supply to high rise buildings.
- High pressure application in pulp & paper mills.
- Water-transfer of liquid containing vapor, air or gas.
- Boiler feed, marine, refrigeration fuel oil.
- Hot & cooling water circulating.
- Fire-fighting system.
- Power plant, booster plants.
- High pressure testing.
- Filter press feeding/washing.
- Sprinkling in irrigation system.

## ■ RGP SERIES

ROTARY GEAR PUMPS



## ■ OPERATING DATA

**Capacity** : up to 200 m<sup>3</sup>/hr

**Head** : up to 120 mtr

**Discharge size** : 12 mm to 120 mm

**Temperature** : up to 200°C

**Pressure** : up to 12 kg/cm<sup>2</sup>

**Speed** : up to 1440 rpm

## ■ MATERIAL OF CONSTRUCTION

- C.I, C.S, SS-304 / 304L, SS316 /316L, Bronze.
- Alloy-20, CD4MCU Hast alloy B & C.
- Duplex stainless steel, Super duplex stainless steel.

## ■ APPLICATIONS

- RGP pumps are gravity suction heavy duty pumps with specially designed for the low NPSH application like Oil separator, Vacuum application, Hot oil pumping application.
- Barrels unloading.
- Large use rolling mills for picking and solvent plant.
- Pharmaceutical.
- Laminates.
- They can be used for viscous and aggressive fluids.

## ■ RSCP SERIES

HORIZONTAL SPLIT  
CASING PUMPS



## ■ OPERATING DATA

**Capacity** : up to 5000 m<sup>3</sup>/hr

**Head** : up to 140 mtr

**Discharge size** : 50 mm to 500 mm

**Temperature** : up to 100°C

**Pressure** : up to 14 kg/cm<sup>2</sup>

**Speed** : up to 3500 rpm

## ■ MATERIAL OF CONSTRUCTION

- C.I, C.S, SS-304 / 304L, SS316 /316L, Bronze.
- Alloy-20, CD4MCU Hast alloy B & C.
- Duplex stainless steel, Super duplex stainless steel.

## ■ APPLICATIONS

- Suitable for fire - fighting.
- Primary & Secondary HVAC Application.
- High pressure Boosting system.
- Dewatering in Mines.
- Cooling tower.
- Recirculating.
- Desalination.
- Water supply.
- Paper plant.
- Petroleum refineries.
- Sugar & steel plant.
- Power plant.
- Air Conditioning & Refrigeration system.
- Irrigation.

## ■ RWSP SERIES

WATER SEPARATOR PUMPS FOR  
UNDER VACUUM APPLICATION



## ■ OPERATING DATA

**Capacity** : up to 250 m<sup>3</sup>/hr

**Head** : up to 26 mtr

**Discharge size** : 80 mm to 125 mm

**Temperature** : up to 80°C

**Pressure** : up to 2.6 kg/cm<sup>2</sup>

**Speed** : up to 1440 rpm

## ■ MATERIAL OF CONSTRUCTION

- C.I, C.S, SS-304 / 304L, SS316 /316L, Bronze.
- Alloy-20, CD4MCU Hast alloy B & C.
- Duplex stainless steel, Super duplex stainless steel.

## ■ APPLICATIONS

- RWSP pumps are gravity suction heavy duty with specially designed for the low NPSH application like Water separator, Vacuum application, Hot water pumping application.
- Barrels.
- Small tankers.
- Large use rolling mills for picking and solvent plant.
- Pharmaceutical.
- Laminates.

## ■ RCMP SERIES

HORIZONTAL CENTRIFUGAL  
MONOBLOCK PUMPS



## ■ OPTIONAL PARTS

**Capacity :** up to 120 m<sup>3</sup>/hr

**Head :** up to 60 mtr

**Discharge size :** 25 mm to 100 mm

**Temperature :** up to 60°C

**Speed :** up to 2880 rpm

## ■ MATERIAL OF CONSTRUCTION

- C.I, C.S, SS-304 / 304L, SS316 / 316L.

## ■ APPLICATIONS

- Gardening and irrigating.
- Cooling water circulation.
- Oils solvents and hydrocarbons.
- Starch and sugar production.
- Agriculture, farms, civil, application.
- Industries for clear water handling cooling tower.
- Water supply for domestic use in apartments, hotels, swimming pools,
- Automobile service station, hospitals, clubs, hostels, power plants, fire-fighting.

## ■ RDP SERIES

DEWATERING SUBMERSIBLE PUMPS



## ■ OPERATING DATA

- **Capacity :** up to 650 m<sup>3</sup>/hr
- **Head :** up to 60 mtr
- **Temperature :** up to 70°C
- **HP :** up to 100
- **Speed :** 2880 rpm
- **Delivery size :** 32 mm To 250 mm
- **Solid size :** 10 to 50 mm
- **Connection :** DOI / SD / ATS
- **Voltage & Phase :** 415V, 3 Phase
- **Insulation/ protection :** F' Class, 'H' Class / IP 68
- **Cable :** PVC / EPR Insulated Double Seated copper Conductor Flexible
- **Mechanical Seal :** Double Mechanical Seals  
(Tungsten Carbide Vs Tungsten Carbide)

## ■ MATERIAL OF CONSTRUCTION

- C.I, C.S, S.S., Allu-Alloy.

## ■ OPTIONAL PARTS

- Impeller, Casing, wear plate with Various M.O.C. Bronze, CF8, CF8M, CD4MCU.

## ■ APPLICATIONS

- Construction side.
- Muddy water transfer, Swimming pool.
- Dewatering of ponds, basement of huge building. Power plant, ETP, STP
- Used in hotel, hospitals, railways dairy, chemical ind, sugar, steel, cement, food beverages.

## ■ RHSP SERIES

LOW SPEED HEAVY DUTY SEWAGE  
SUBMERSIBLE NON CLOG PUMPS



## ■ MATERIAL OF CONSTRUCTION

- C.I, C.S, S.S.

## ■ OPTIONAL PARTS

- Impeller, Casing, wear plate with Various M.O.C. Bronze, CF8, CF8M, CD4MCU.

## ■ OPERATING DATA

- **Capacity** : up to 2000 m<sup>3</sup>/hr
- **Head** : up to 70 mtr
- **Temperature** : up to 45<sup>o</sup>C
- **HP** : 3 to 300
- **Speed** : 1440 / 960 / 750 rpm
- **Delivery size** : 50 mm To 350 mm
- **Solid size** : 25 mm to 130 mm
- **Connection** : DOI / SD / ATS
- **Voltage & Phase** : 415V, 3 Phase
- **Insulation/ protection** : F' Class, 'H' Class / IP 68
- **Moter** : 4, 6, 8 pole continues duty dry type squirrel cage induction moter
- **Cable** : PVC Insulated Double heated copper Conductor Flexible cable
- **Mechanical Seal** : Bi- Direction Twin Mechanical seal with various face combination looking to the application.

## ■ APPLICATIONS

- Muddy water transfer, Swimming Pool.
- Dewatering of ponds, basement of huge builing.
- Power plant, ETP, STP
- Used in hotel, hospitals, railways, dairy, chemical ind, sugar, steel, cement, food beverages.

## ■ RLSP SERIES

HIGH SPEED LOW DUTY SEWAGE  
SUBMERSIBLE NON CLOG PUMPS



## ■ MATERIAL OF CONSTRUCTION

- C.I, C.S, S.S.

## ■ OPTIONAL PARTS

- Impeller, Casing, wear plate with Various M.O.C. Bronze, CF8, CF8M, CD4MCU.

## ■ OPERATING DATA

- **Capacity** : up to 150 m<sup>3</sup>/hr
- **Head** : up to 70 mtr
- **Temperature** : up to 45<sup>o</sup>C
- **HP** : 0.5 to 20 (Up to 3 hp in single phase)
- **Speed** : 2880 rpm
- **Delivery size** : 32 mm To 150 mm
- **Solid size** : 50 mm
- **Connection** : DOI / SD
- **Voltage & Phase** : 415V, 3 Phase / 230 V,  
1 phase up to 3 HP
- **Insulation/ protection** : F' Class, 'H' Class / IP 68
- **Moter** : 2 pole continues duty dry type squirrel cage induction moter
- **Cable** : PVC / EPR Insulated Double Seated copper Conductor Flexible cable
- **Mechanical Seal** : Bi- Direction Twin Mechanical seal with various face combination looking to the application.

## ■ APPLICATIONS

- Muddy water transfer, Swimming pool.
- Dewatering of ponds, basement of huge building.
- Power plant, ETP, STP
- Used in hotel, hospitals, railways dairy, chemical ind, sugar, Steel, cement, food beverages.



## ■ RSBP SERIES

SELF PRIMING  
BARREL PUMPS



## ■ OPERATING DATA

**Capacity :** up to 8 m<sup>3</sup>/hr

**Head :** up to 60 mtr

**Discharge size :** 25 mm to 40 mm

**Temperature :** up to 110°C

**Pressure :** up to 6 kg/cm<sup>2</sup>

**Speed :** up to 1440 rpm

## ■ MATERIAL OF CONSTRUCTION

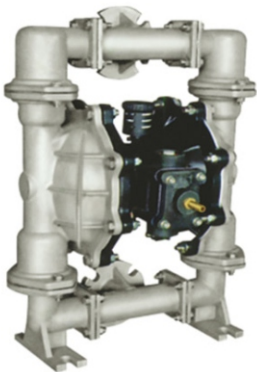
- C.I, C.S, SS-304 / 304L, SS316 /316L.
- Bronze, Alloy-20.
- CD4MCU Hast alloy B & C.

## ■ APPLICATIONS

- Loading and unloading of small & big drums and Barrels, tankers.
- Large use rolling mills for picking and solvent plant.
- Pharmaceutical.
- Laminates.

## ■ RAODP SERIES

AIR OPERATED DOUBLE  
DIAPHRAGM PUMPS



## ■ OPERATING DATA

**Capacity :** up to 55 m<sup>3</sup>/hr

**Head :** up to 70 mtr

**Discharge size :** 12 mm to 80 mm

**Temperature :** Up to 120°C

**Solid size :** Max. 50 mm

## ■ MATERIAL OF CONSTRUCTION

- Body - SS304, SS316, PP, PVDF, Aluminum, Cl.
- Diaphragm - PTFE, EDPM, Santoprene, Viton, Neoprene, Buna, Hytrel.

## ■ APPLICATIONS

- Solvents.
- Acids.
- Caustics.
- High Viscous Liquids.
- Abrasive Media.
- Hazardous & Flammable Liquids.
- Barrel loading - unloading.
- Filter press & transfer.
- Slurry transfer.

■ PUMPS SPARES



## ■ Calculation and conversion Charts.

### To convert to liters/sec.

IGPM	X 0.0757
m <sup>3</sup> /hr	X 0.278
m <sup>3</sup> /min	X 16.68
Metric tonnes/hr	X 0.278 ÷ S.G.
Liter/min	X 0.0167
Kilograms/hr	X 0.000278 ÷ S.G.
USGPM	X 0.063
Cubic feet/sec	X 28.3
Cubic feet/min	X 0.47
British tons/hr	X 0.282 ÷ S.G.
British barrels/hr	X 0.453

### To convert to M<sup>3</sup>/hr.

IGPM	X 0.273
Liters/sec	X 3.60
Liters/min	X 0.06
Metric tones/hr	X 1 ÷ S.G.
m <sup>3</sup> /min	X 60
Kilograms/hr	X 0.001 ÷ S.G.
Kilograms/sec	X 3.6 ÷ S.G.
USGPM	X 0.227
Cubic feet/sec	X 102.0
Cubic feet/min	X 1.7
British tons/hr	X 1.015 ÷ S.G.
British barrels/hr	X 0.163

## Pumping Head Conversion

### To Convert to meters

Feet	X 0.305
kg/cm <sup>2</sup>	X 10 ÷ S.G.
PSI	X 0.704 ÷ S.G.
Inches Hg	X 0.345 ÷ S.G.
cm Hg	X 0.1362 ÷ S.G.
Atmospheres	X 10.35 ÷ S.G.
KN/m <sup>2</sup> (Kpa)	X 0.102 ÷ S.G.
Bar	X 10.2 ÷ S.G.

## Power Conversions

### To convert to Kilowatts

Horse Power X 0.746

### To convert to HP

Kilowatts X 1.341

### Kilowatts

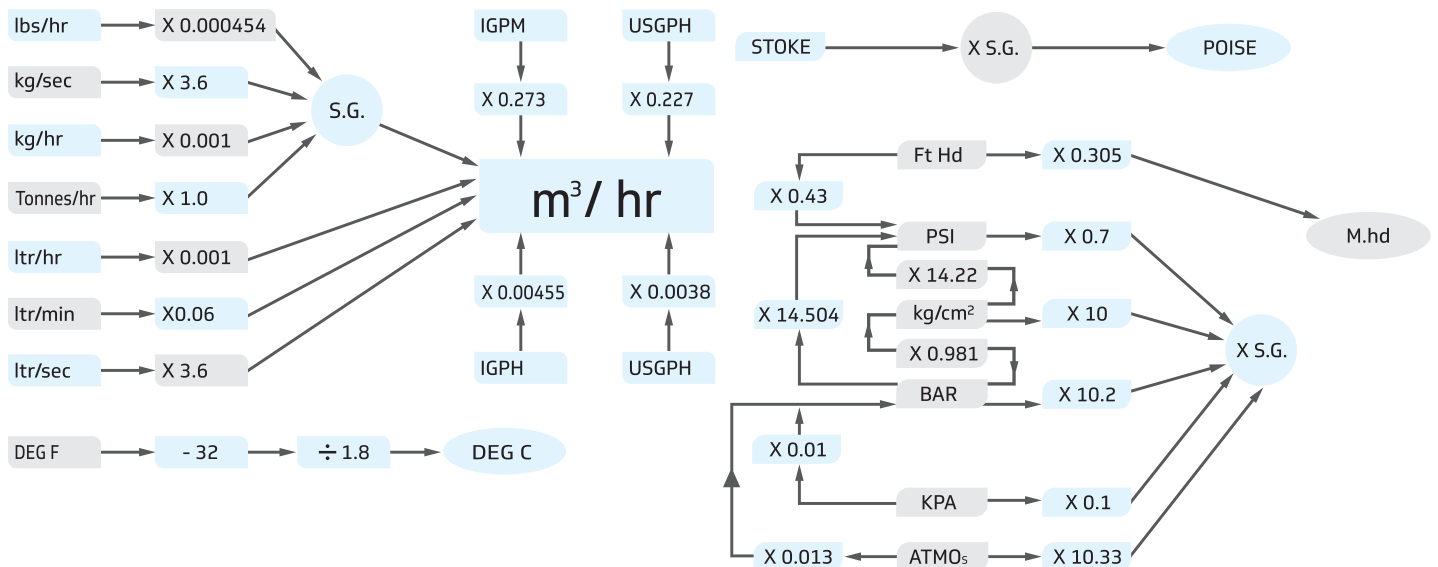
$\frac{m^3/hr \times \text{Total head in meters} \times \text{S.G.}}{367.87 \times \text{Pump Efficiency}}$

367.87 X Pump Efficiency

### BHP

$\frac{\text{IMP. GPM} \times \text{Total head in ft} \times \text{S.G.} \times 10}{33.000 \times \text{Pump Efficiency}}$

33.000 X Pump Efficiency





## **RADIAL PUMPS INDUSTRIES**

📍 A/14, Adarsh Industrial Estate-2,  
Opp. Haridham Estate, Odhav,  
Ahmedabad-382415, Gujarat, India

☎ +91 99240 71315

☎ +91 98980 06126

✉ [radialpumps@gmail.com](mailto:radialpumps@gmail.com)

✉ [info@radialpumps.com](mailto:info@radialpumps.com)

🌐 [www.radialpumps.com](http://www.radialpumps.com)

Authorised Distributor

